



POWER SPEAKER

APPLICATIONS

Thank you for purchasing the ROLLS PS84 Power Speaker. The PS84 is for monitoring audio signals such as for sound rooms, AV presentations, monitoring recordings, etc. It has both 1/4" and RCA inputs for use in most types of audio situations and since it has a power cord no external AC adapter is needed.

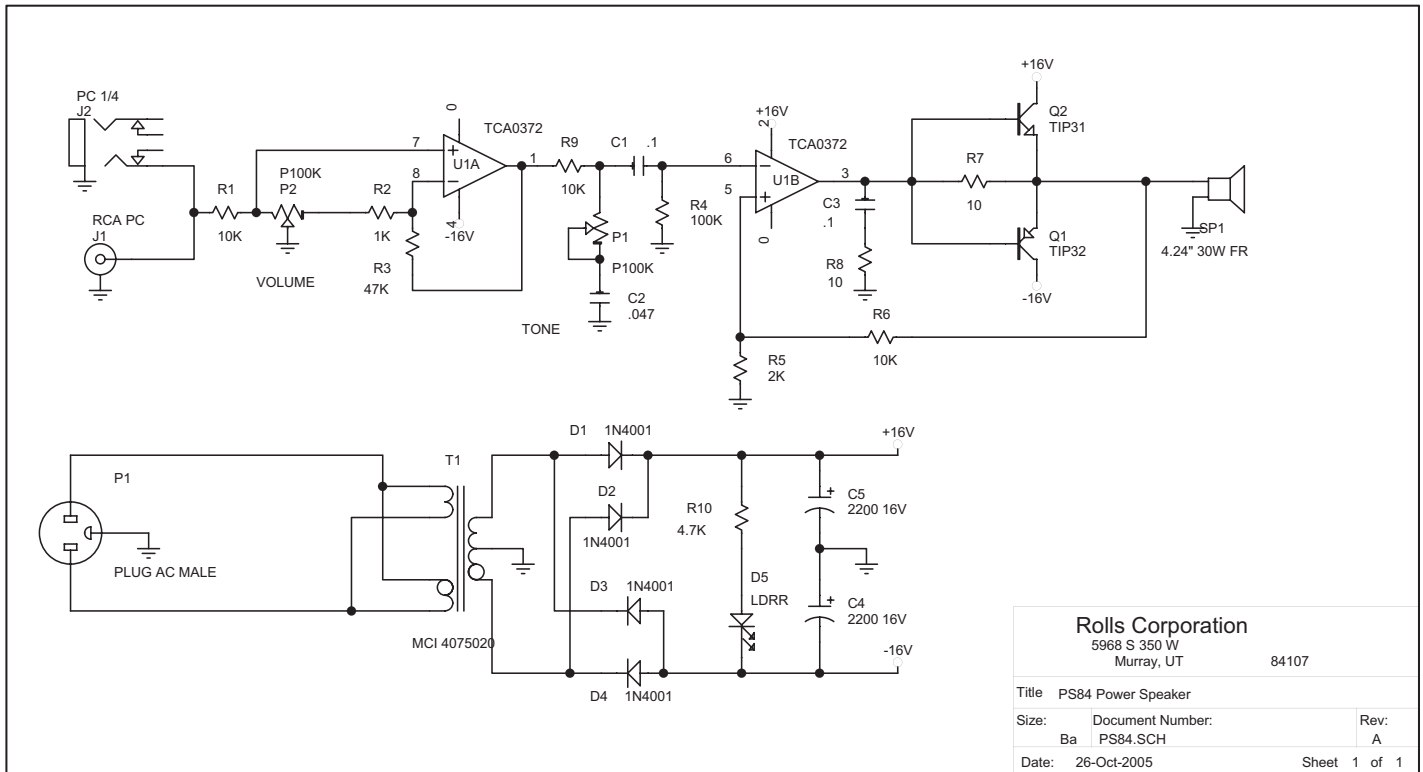
INSTALLATION

The PS84 may be used along side a video monitor since it is shielded or may be rack mounted since it is 3 rack spaces high. Connect the signal source then insert the power plug into an outlet, the power led should light. Turn up the volume for the desired level and adjust the tone to taste.

SPECIFICATIONS

- Power output 12 Watts RMS
- Gain 34 db
- Speaker 4.25" 30 Watt foam roll edge
- Bandwidth 62 - 12K Hz
- Jacks 1/4" and RCA Female
- Controls Volume and Tone
- Power 120 VAC 60 Hz (230 VAC 50 Hz)
- Size 5.25" X 5.25" X 5.25"

SCHEMATIC



<b>Rolls Corporation</b> 5968 S 350 W Murray, UT 84107		
Title	PS84 Power Speaker	
Size:	Document Number:	Rev:
Ba	PS84.SCH	A
Date:	26-Oct-2005	Sheet 1 of 1